
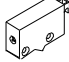


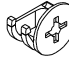


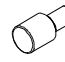

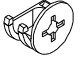

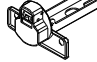




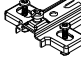


I

							
R	G	4x30 H1	D	B	S	A	S3
x1	x2	x4	x4	x2	4x	x6	4x


II - VII

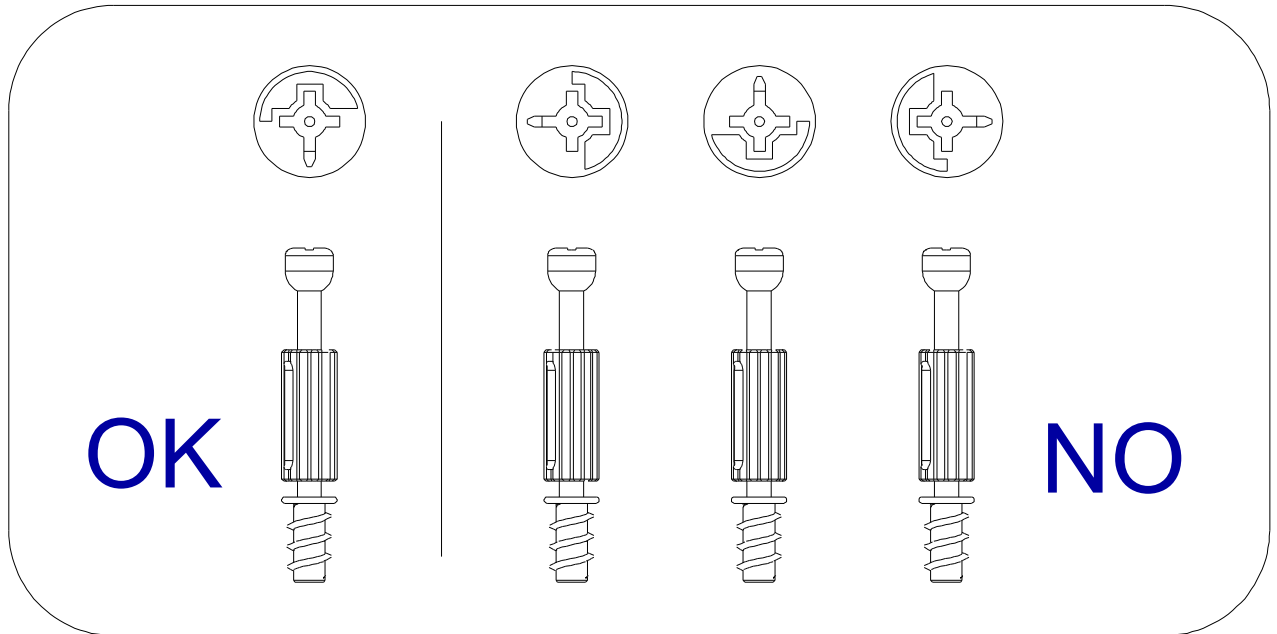
				
A	B	D	Z	6,3x13 F2
x2	x6	x12	x4	x8

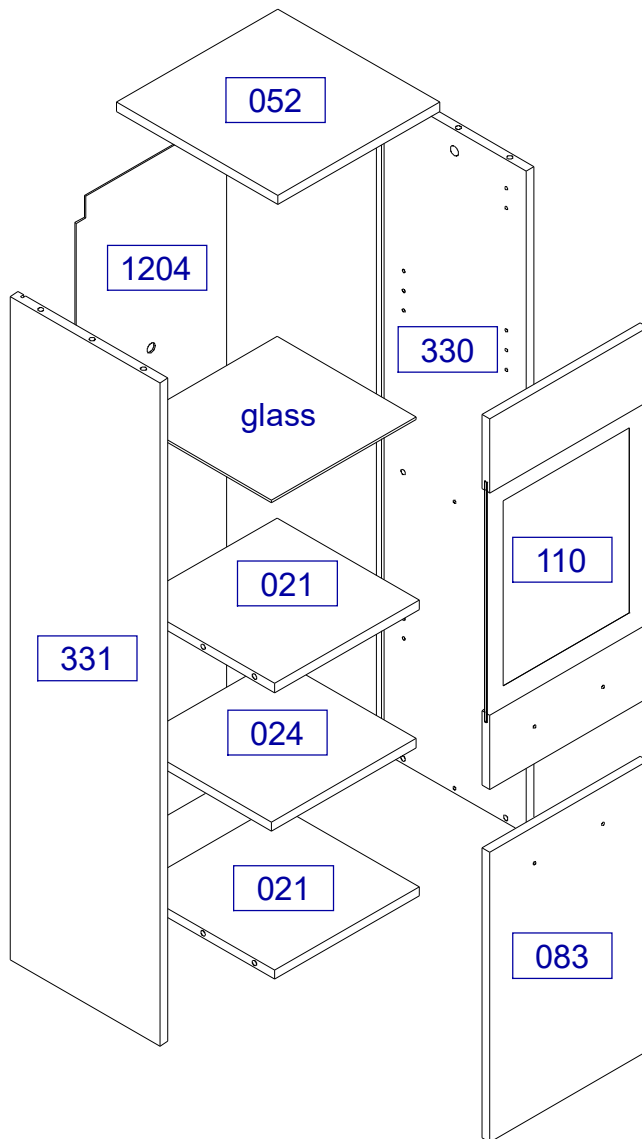
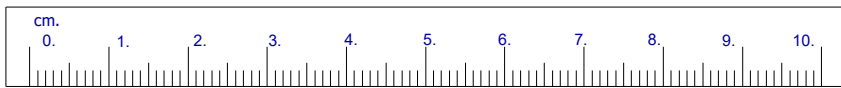
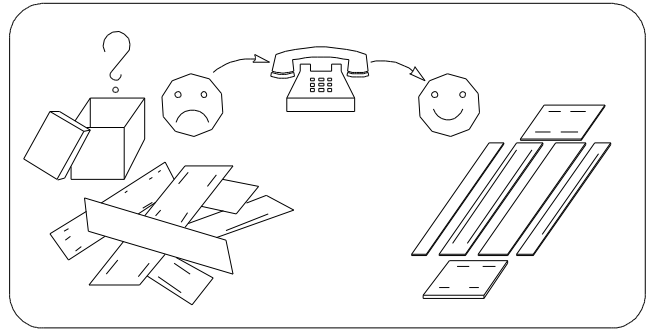
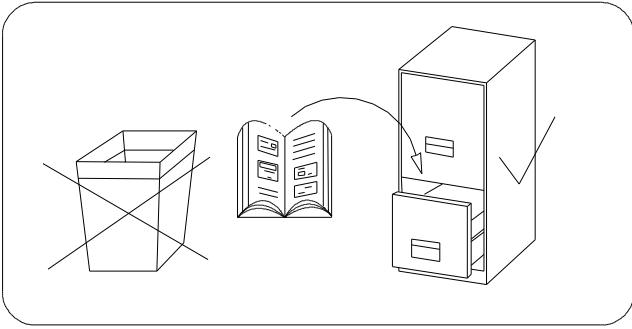
VIII - XII

			
I	L	F	4x27 H5
x6	x4	2x	x4



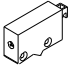
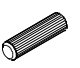
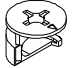
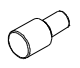


XIII

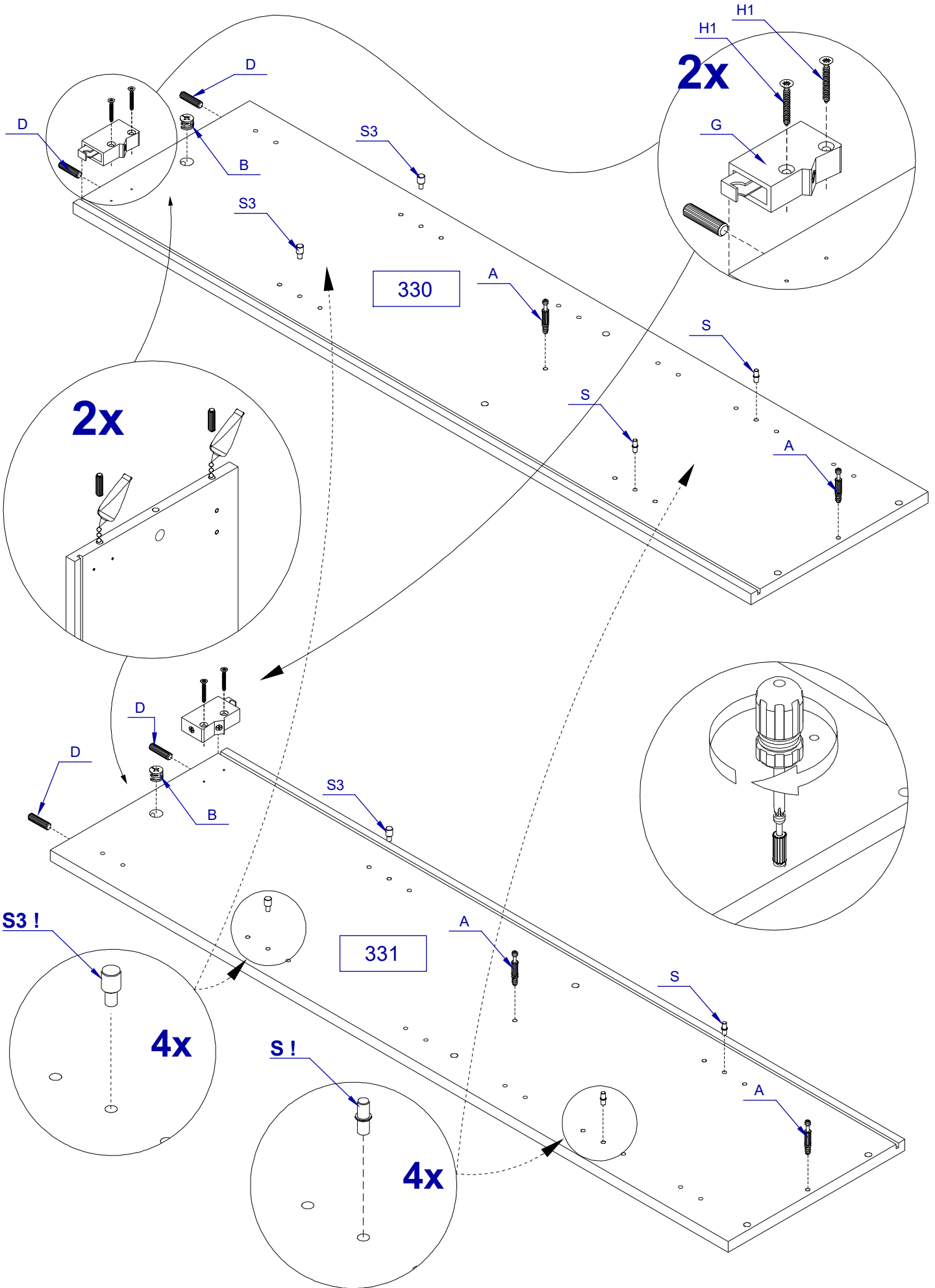

10 mm KR
x2



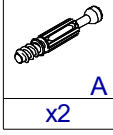
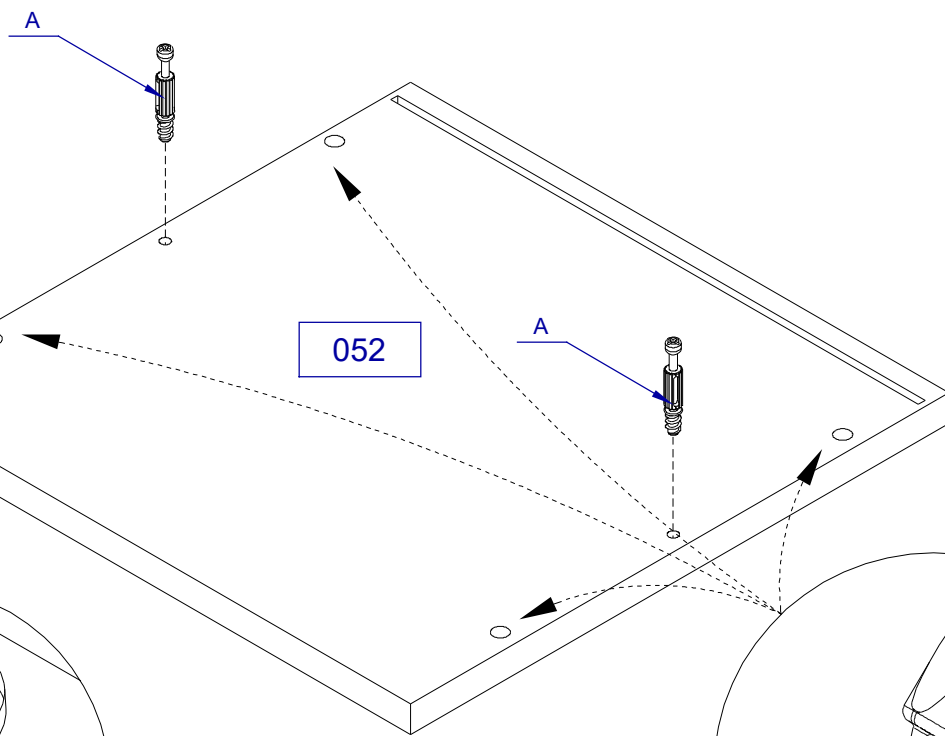


I

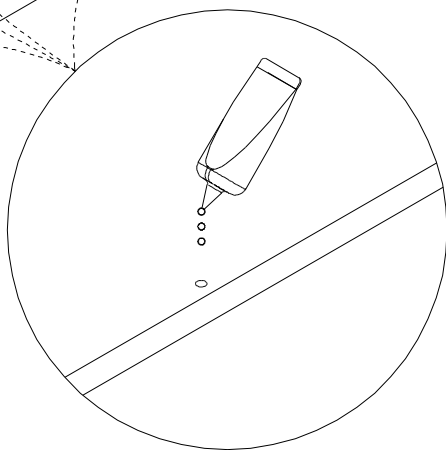
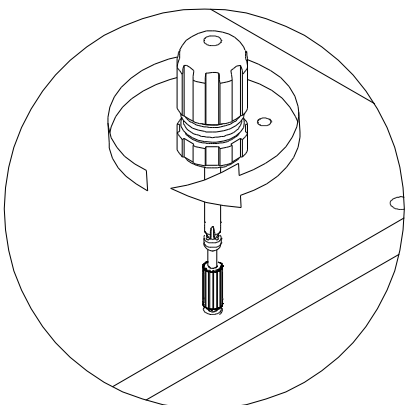
							
R	H1	G	D	B	S3	S	A
x1	x4	x2	x4	x2	x8	x4	x4



II

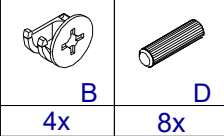
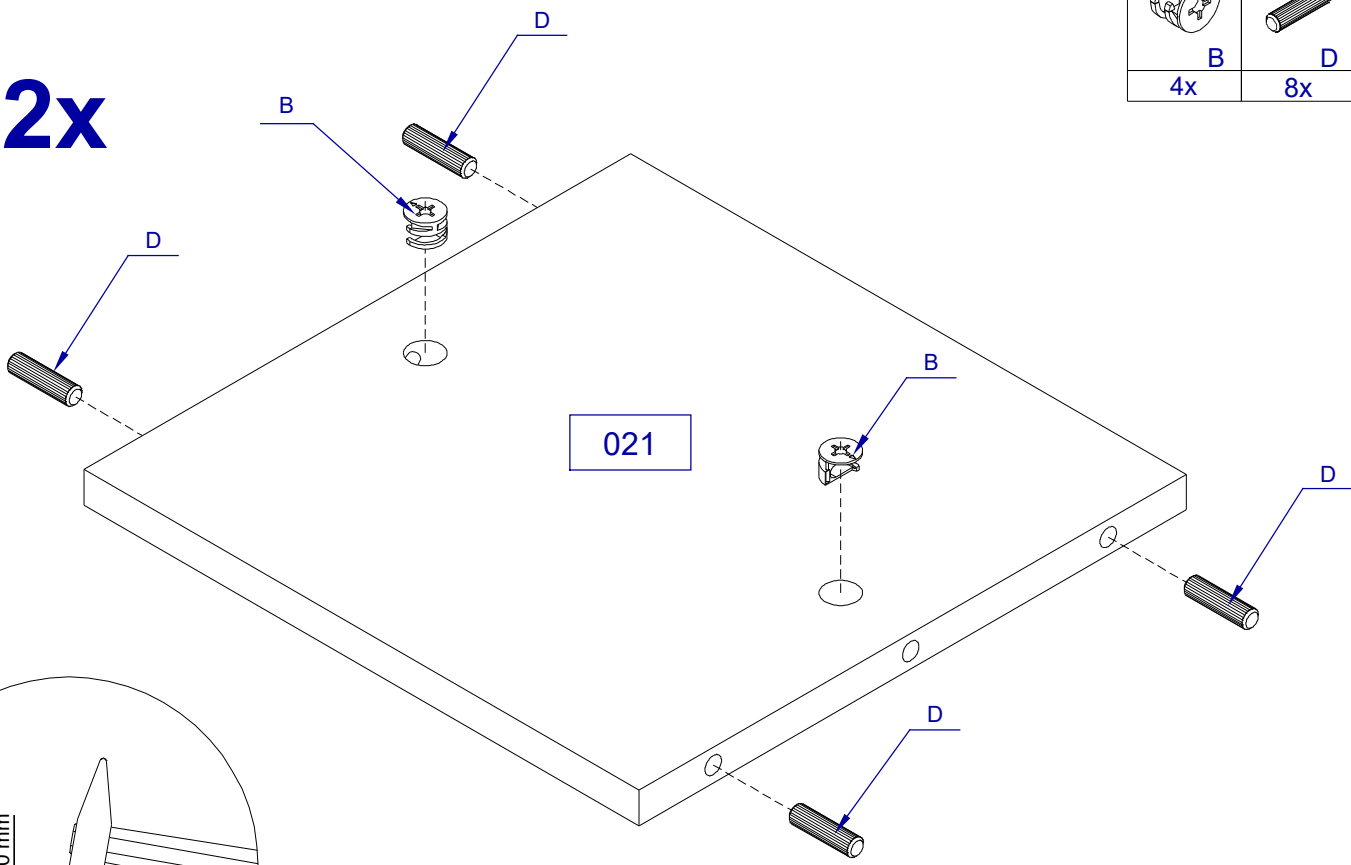


x2



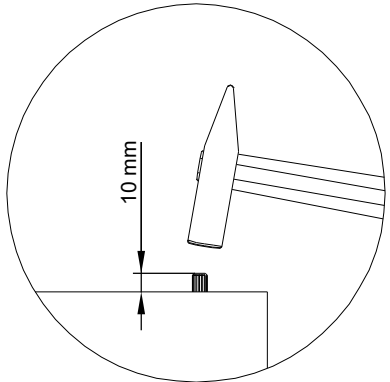
III

2x

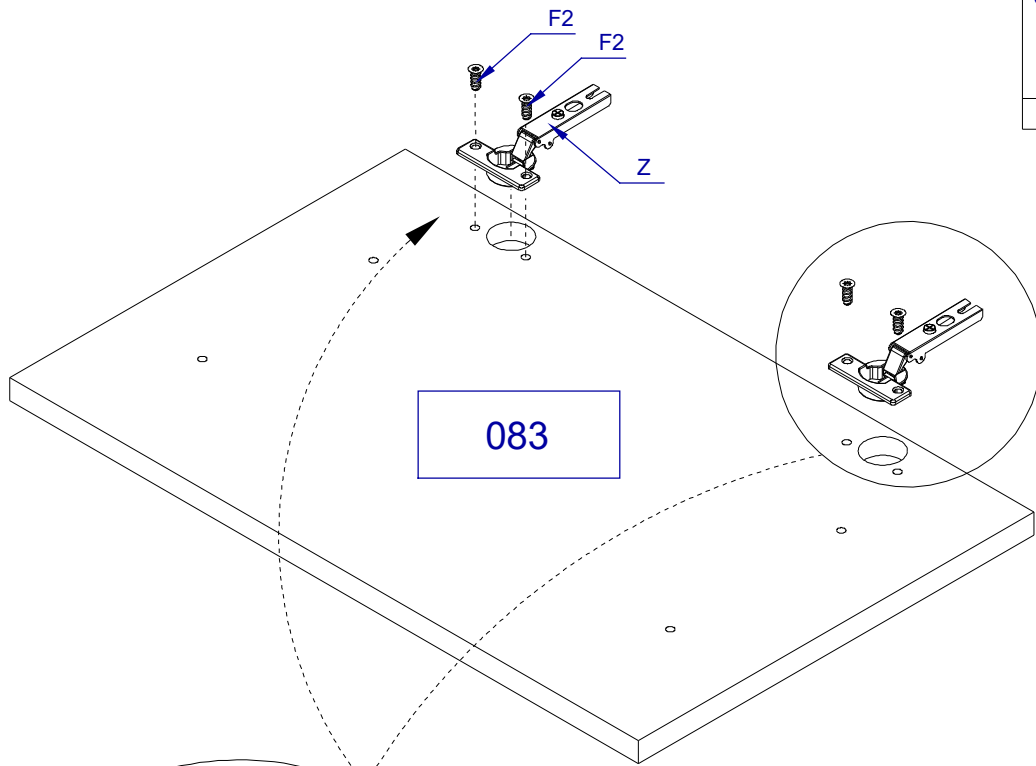



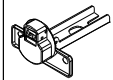
4x

8x

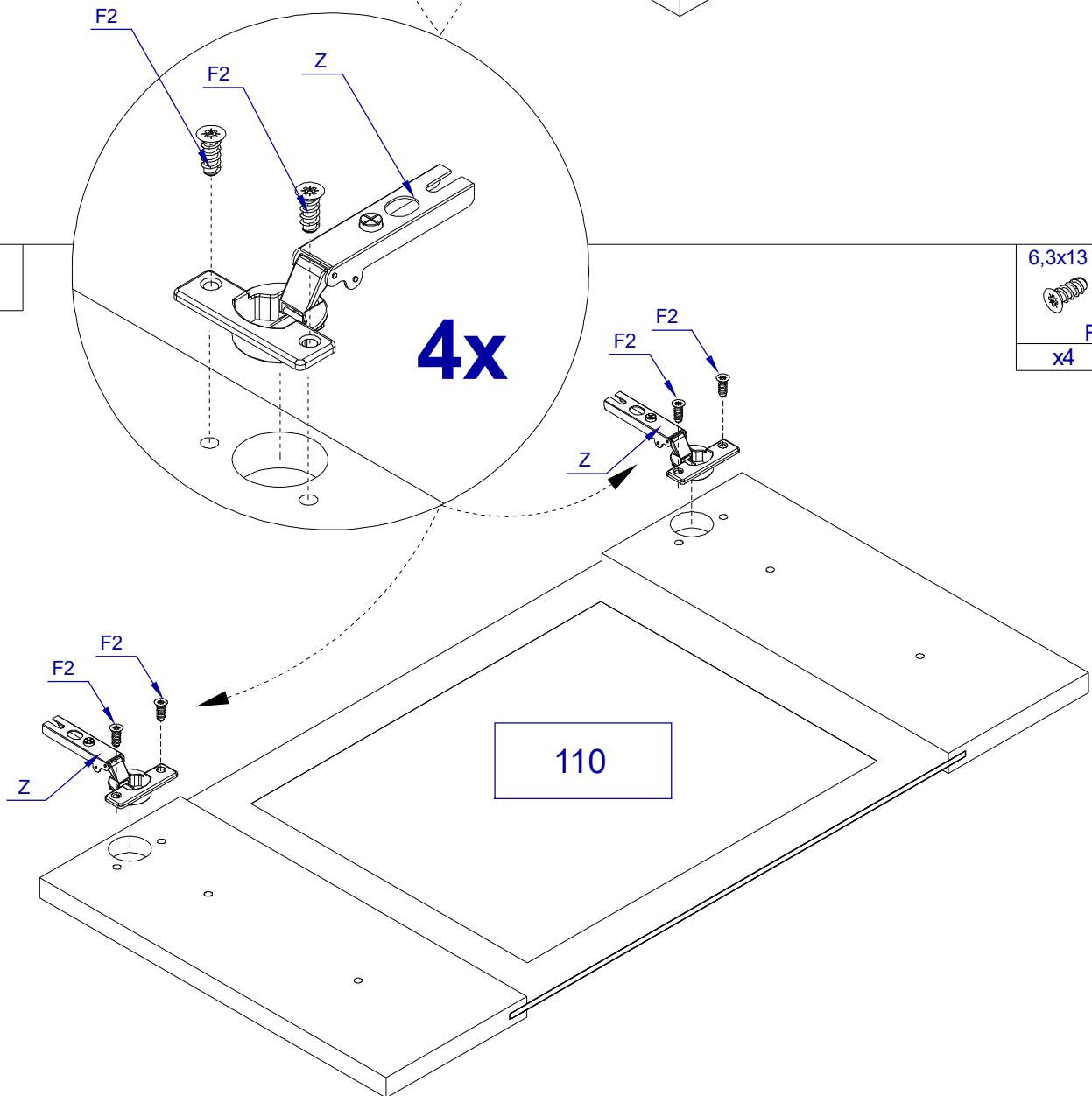



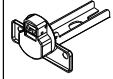
IV



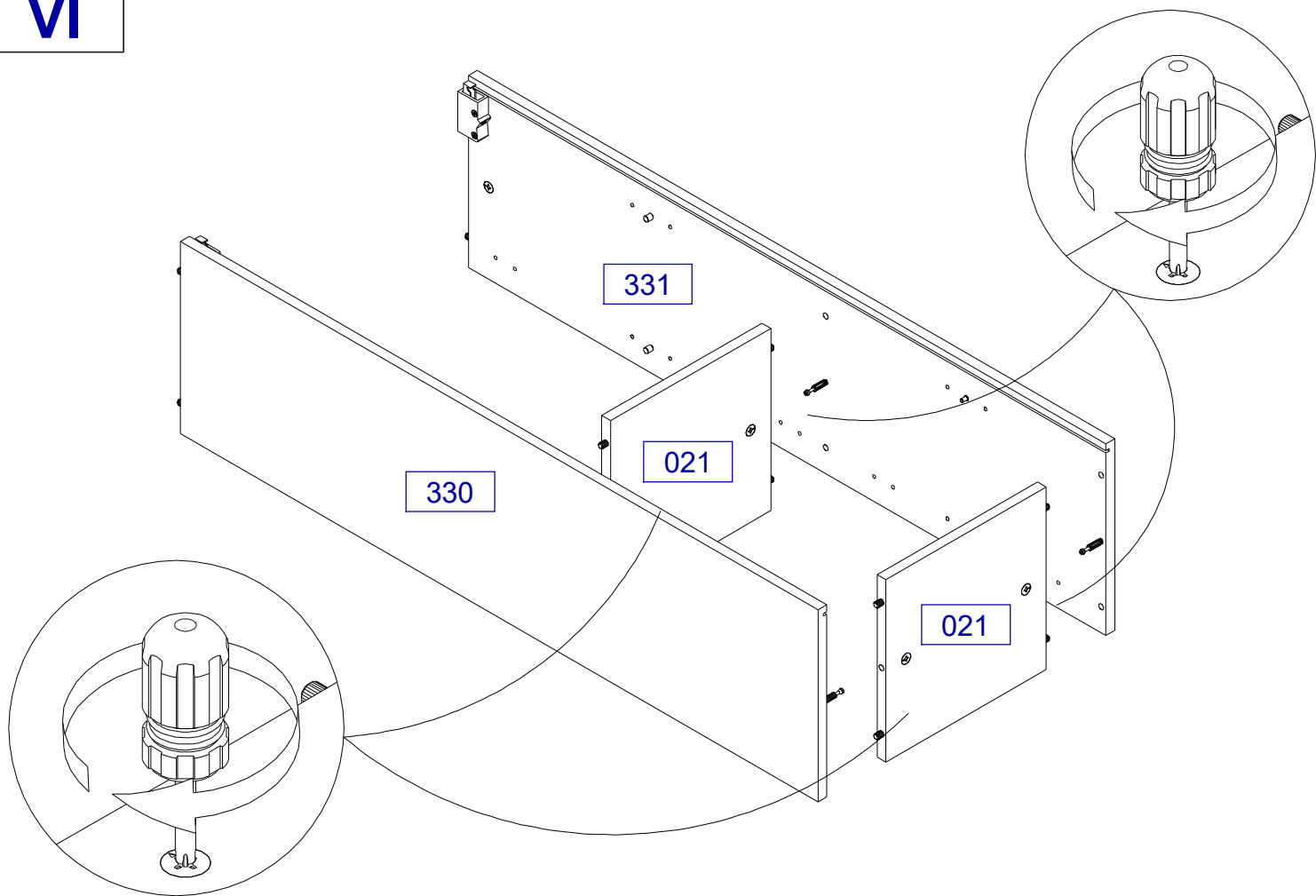
6,3x13		
	F2	Z
x4		x2

V

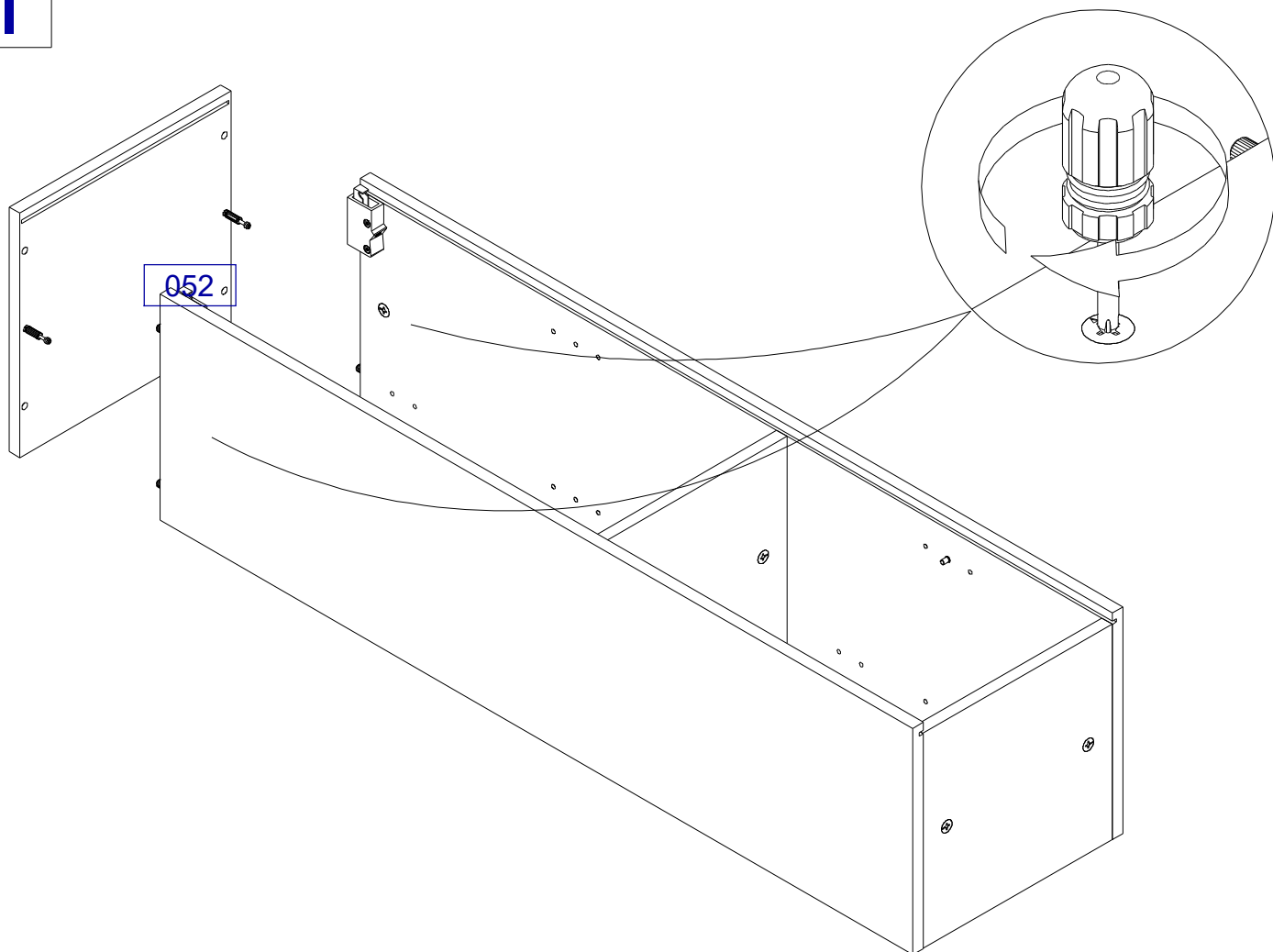


6,3x13		
	F2	Z
x4		x2

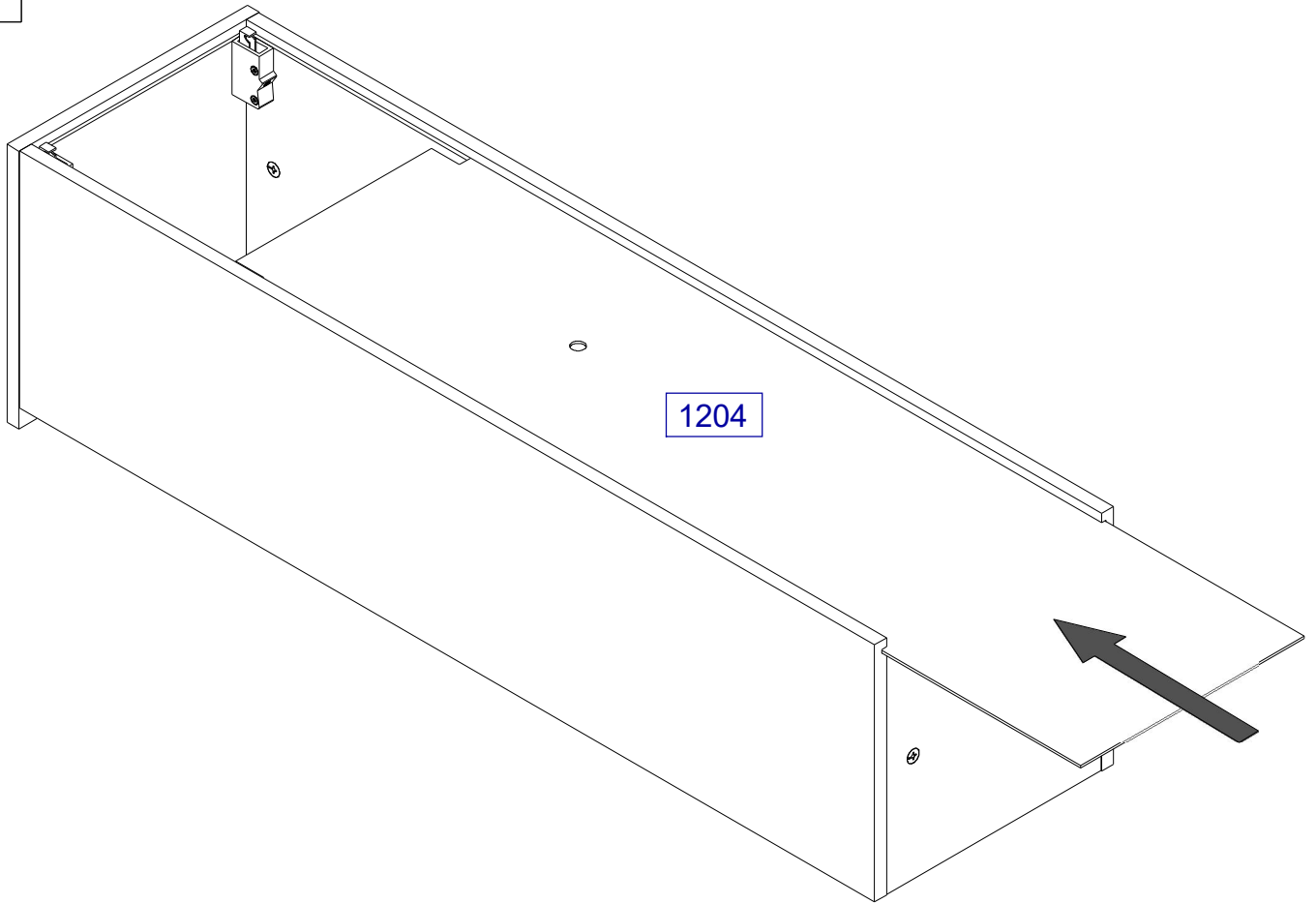
VI



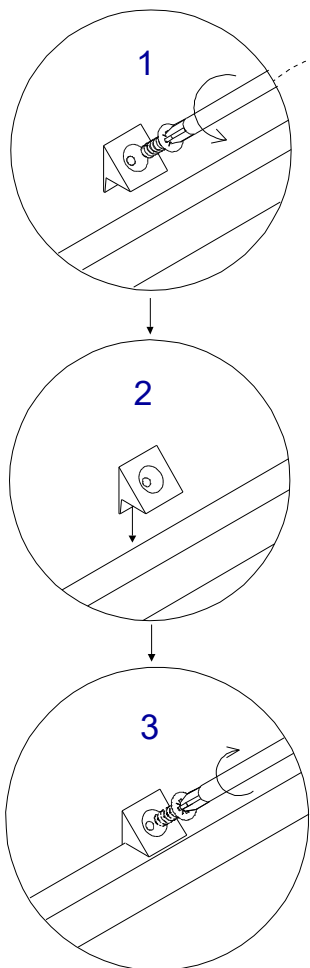
VII



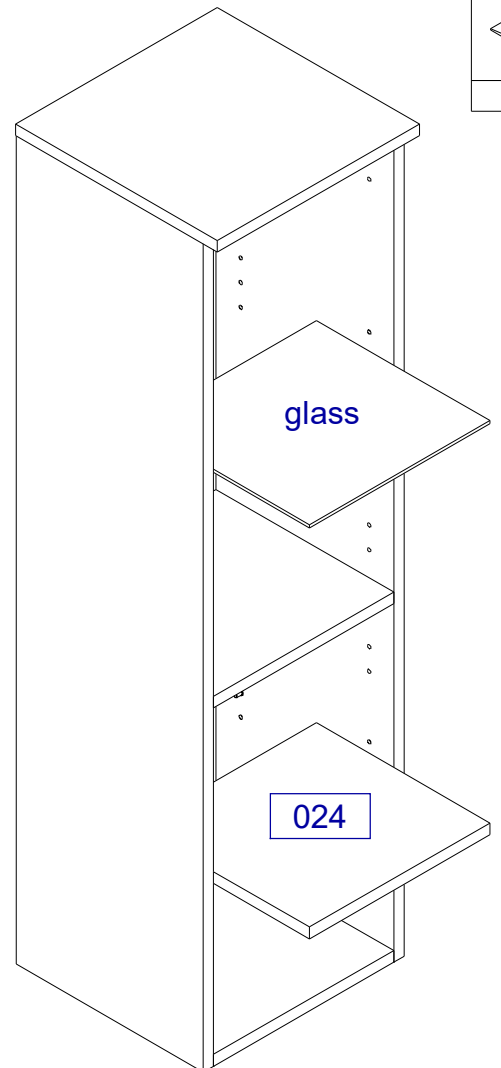
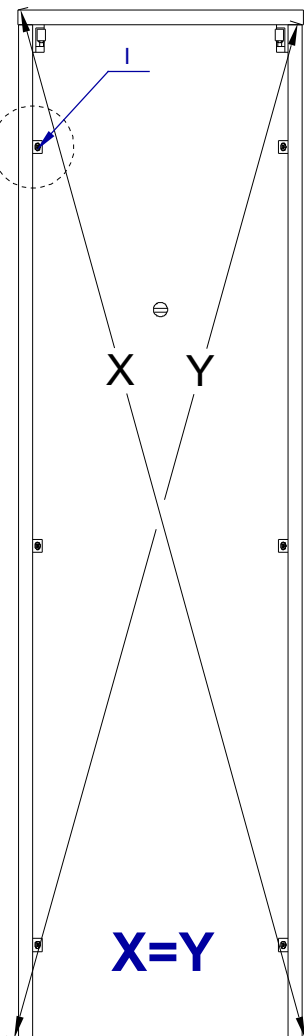
VIII



IX



6x



X

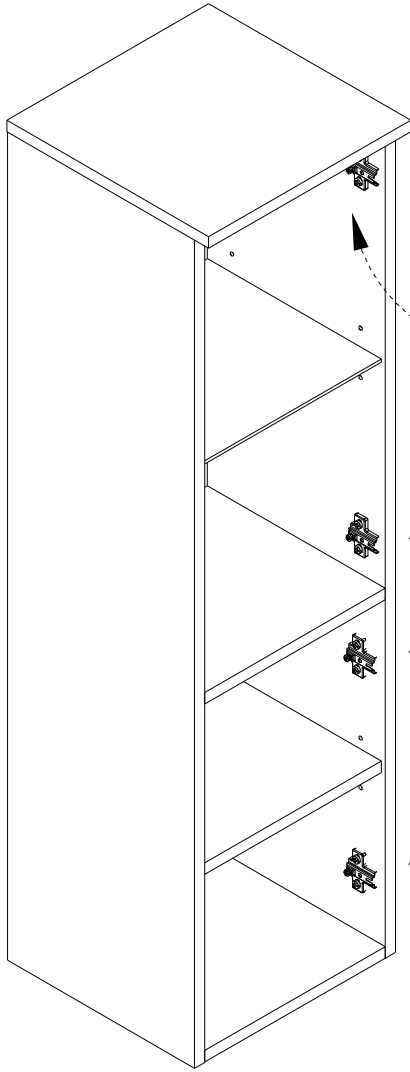
R



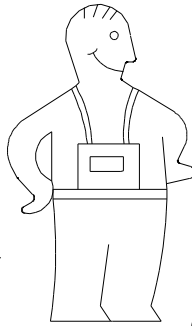
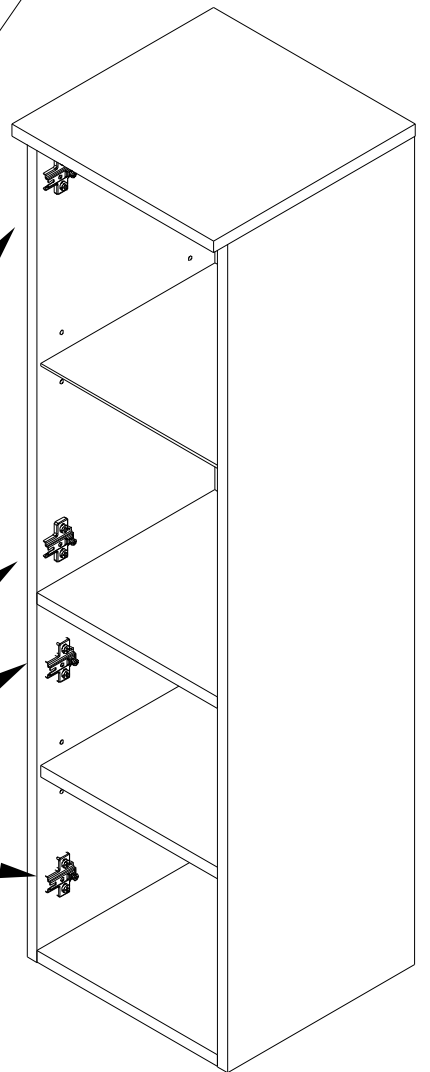
L

x4

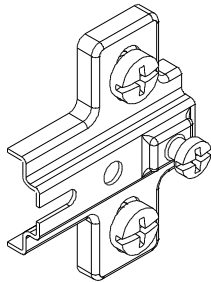
4x



L



4x

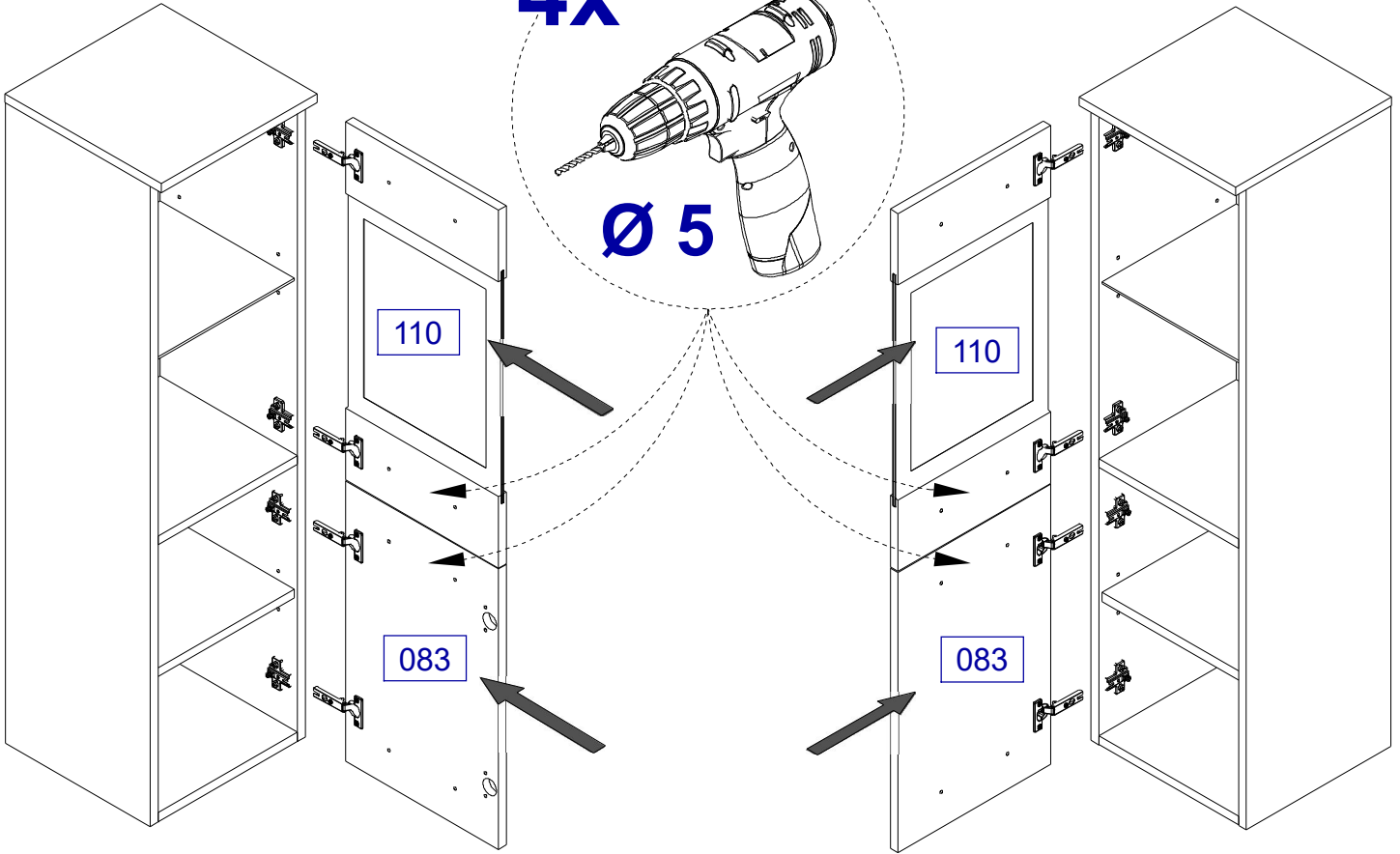
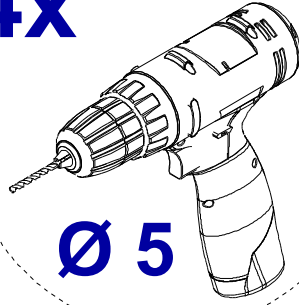


XI

R

4x

L



XII

4x27



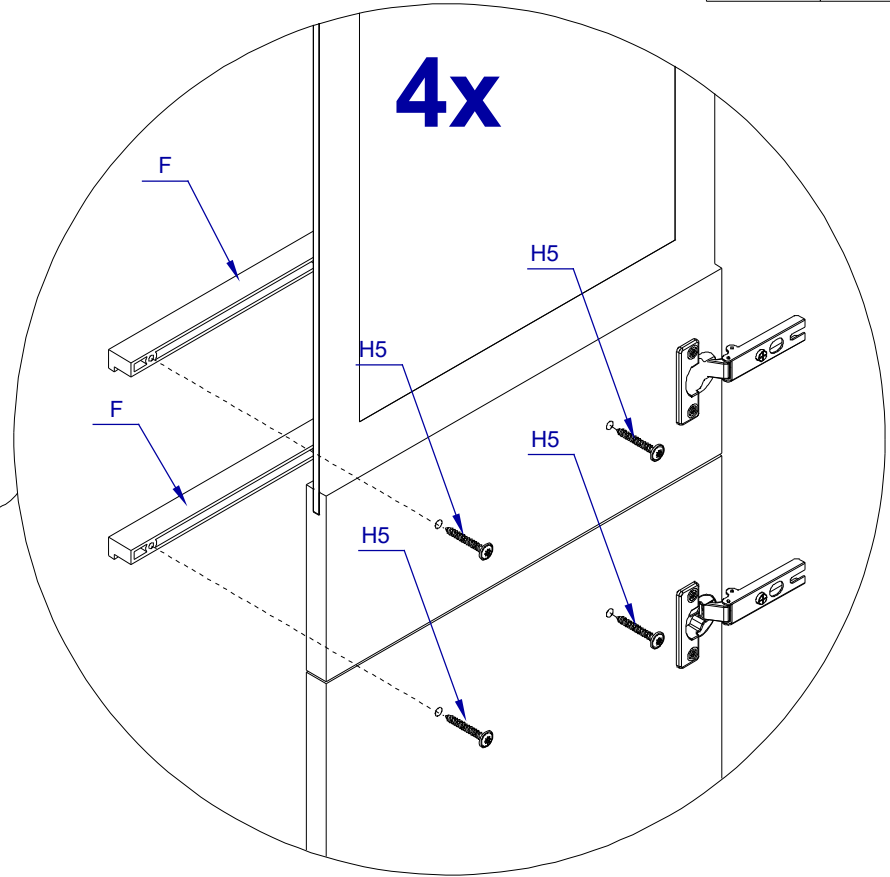
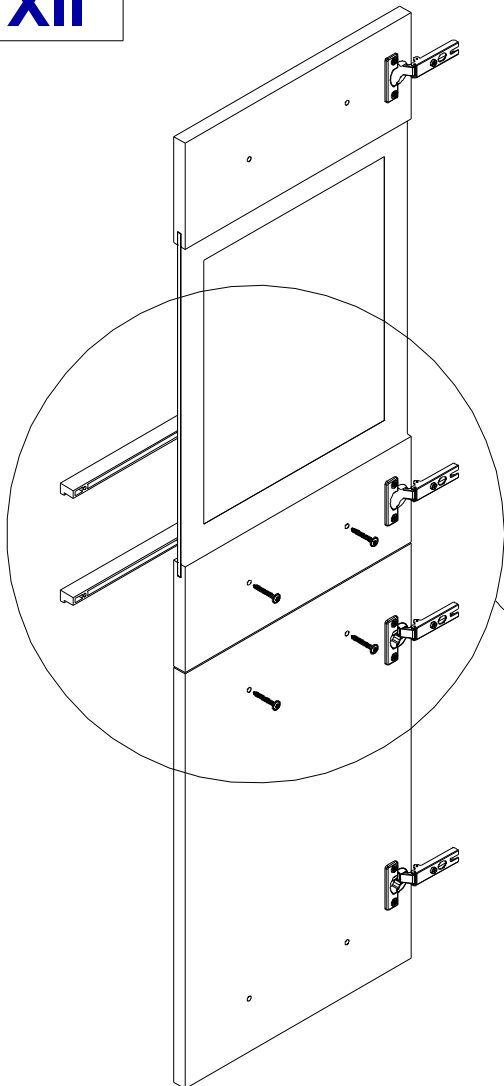
H5

x4



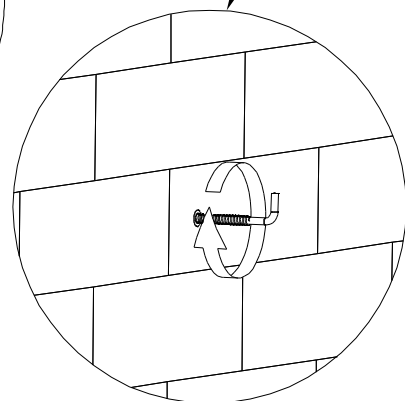
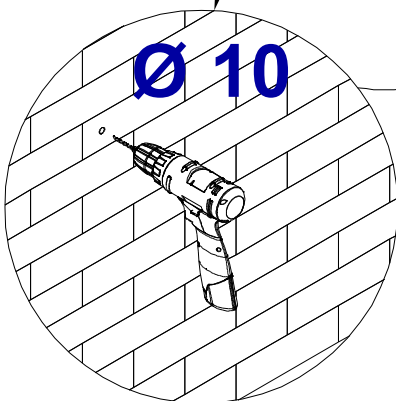
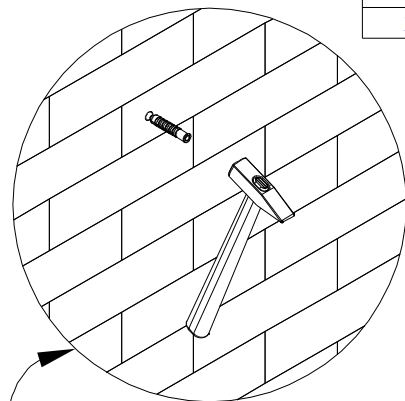
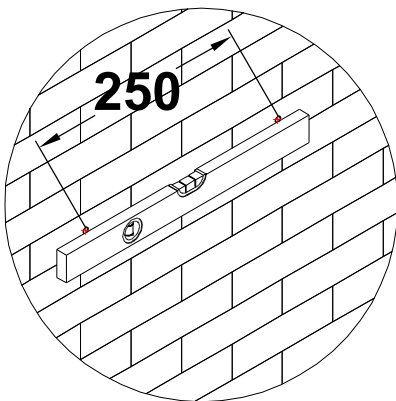
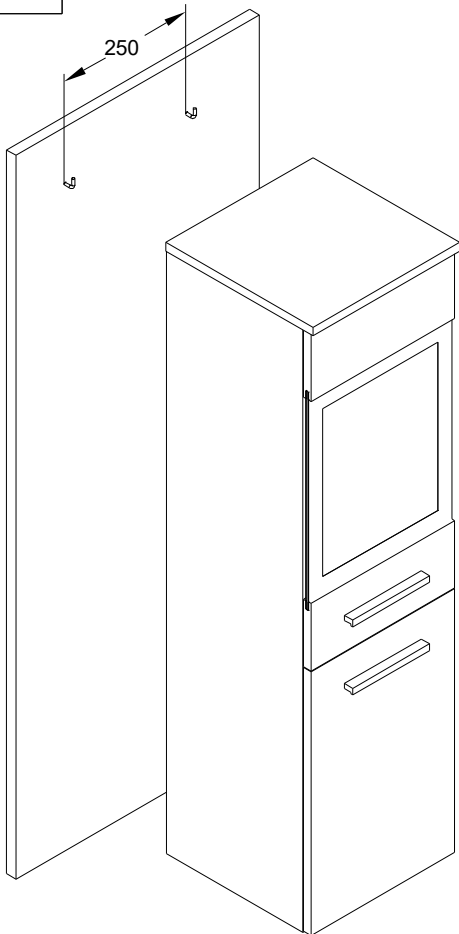
F

2x

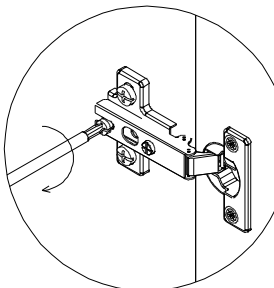
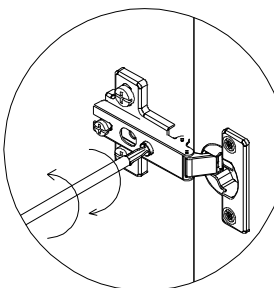
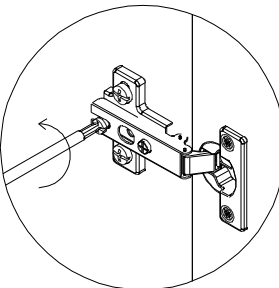
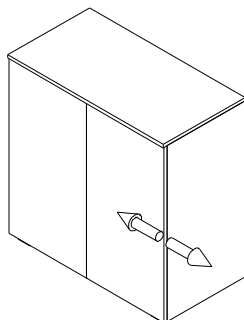
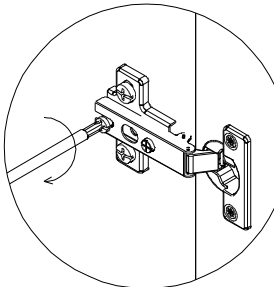
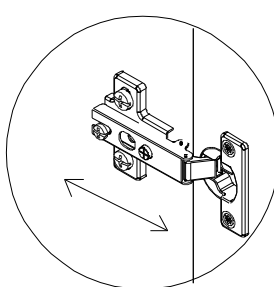
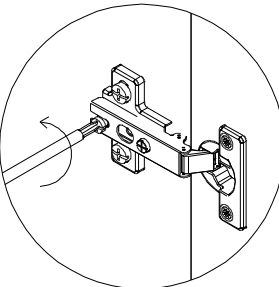
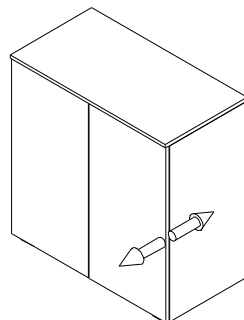
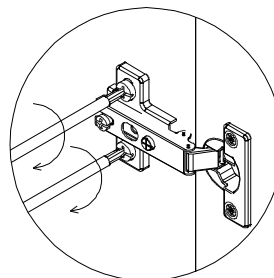
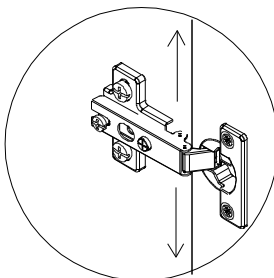
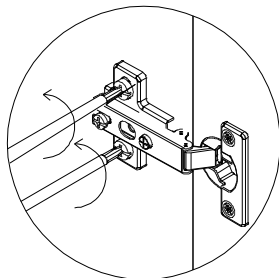
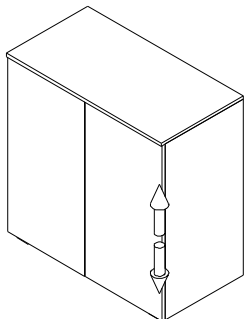


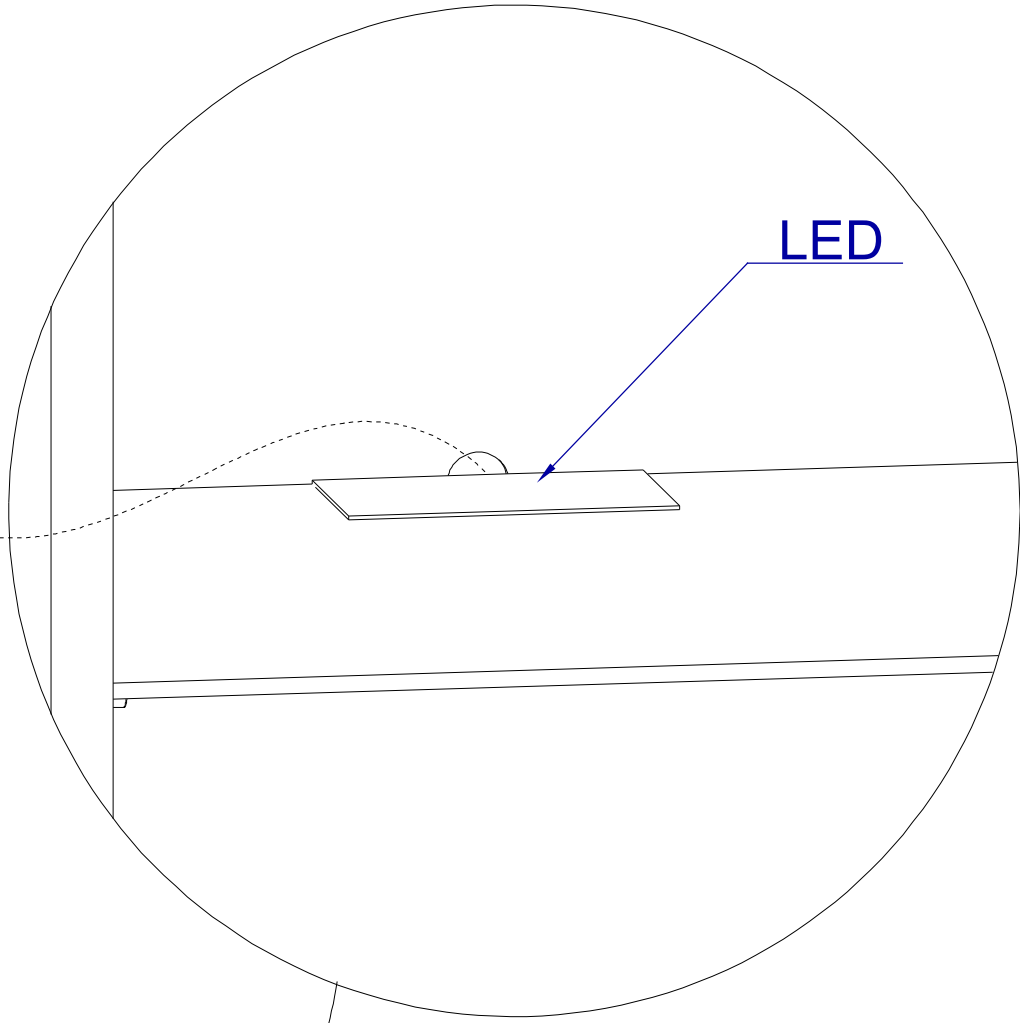
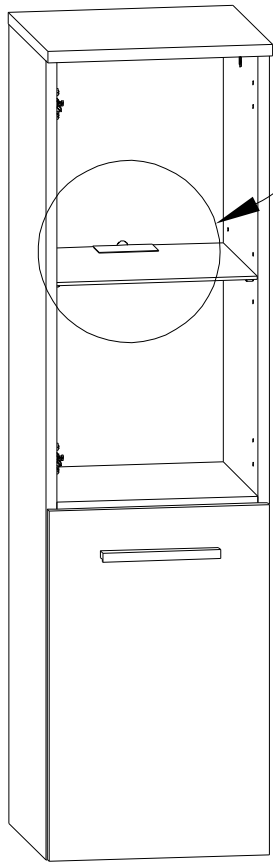
XIII

10 mm
KR
x2



XIV





LED